

Ersatzteilliste
Spare parts list
Liste de pièces détachées



Geschirr- und Gläserpülautomat
Dish- and glasswashing machines
Machine à laver la vaisselle et verres

DV 80.2 230/400V 50HZ 3P / MIKE 2





PLATONSERVICE

8 (800) 500-34-41

www.platonservice.com

DV 80.2

| Inhaltsverzeichnis: | Contents: | Contenu: | Seite/ Page |
|----------------------------|------------------------|------------------------|---------------------------|
| 01.18 | Waschpumpe | Wash pump | Pompe de lavage 4 |
| 03.24 | Waschsystem | Wash system | Systeme de lavage 6 |
| 04.14 | Magnetventil | Solenoid valve | Electrovanne 7 |
| 06.07 | Niveauregelung | Level control | Régulation de niveau 8 |
| 08.38 | Einbauboiler | Incorporated boiler | Surchauffeur incorporé 9 |
| 09.17 | Tankheizung | Tank heating | Chauffage de bac 11 |
| 10.14 | Dosiergeräte | Dosing units | Doseurs 12 |
| 11.43 | Elektroniksteuerung | Electronic control | Commande électronique 13 |
| 13.29 | Baugruppen/Einzelteile | Component blocks/Parts | Blocs/Pièces détachées 15 |
| 14.08 | Haubengestänge | Hood rod | Barre de capot 16 |
| 16.03 | Einbauwasserenthärter | Incorporated softener | Adoucisseur incorpore 18 |
| 18.12 | Laugenpumpe | Drain pump | Pompe de vidange 20 |
| 22.15 | Drucksteigerungspumpe | Booster pump | Surpresseur 21 |
| 24.07 | Freier Auslauf | Air gap | Ecoulement libre 22 |

KENNZEICHNUNG DER ER-SATZTEILE

* / V DIESE TEILE EMPFEHLEN WIR AUF LAGER ZU LEGEN!

V VERSCHLEISSTEIL!

ÄNDERUNGEN IN AUSFÜHRUNG UND KONSTRUKTION VORBEHALTEN.

SPECIAL MARKS OF SPARES

WE RECOMMEND TO STORE THESE PARTS!

WEAR AND TARE PART!

WE RESERVE THE RIGHT TO CHANGE EXECUTION AND CONSTRUCTION.

MARQUAGE SPECIALES DES PIECES

NOUS RECOMMANDONS DE PRENDRE CES PIECES EN STOCK!

PIÈCE D'USURE!

NOUS NOUS RESERVONS LE DROIT DE CHANGER L'EXECUTION ET LA CONSTRUCTION.

MEIKO Maschinenbau GmbH & Co.

Englerstraße 3

D-77652 Offenburg

Telefon: 0781 / 203 - 0

Telefax: 0781 / 203 - 1179

www.meiko.de

e-mail: info@meiko.de

01.18 WASCHPUMPE

01.18 WASH PUMP

01.18 POMPE DE LAVAGE



PU1_18.doc
01.01.2003/FUS



01.18 WASCHPUMPE

01.18 WASH PUMP

01.18 POMPE DE LAVAGE



PU1_18.doc
01.01.2003/FUS

| POS | IDENT. NR. IDENT. NO. | BEZEICHNUNG | DESIGNATION | DESIGNATION |
|-----|--------------------------|-------------------------|------------------------|------------------------------|
| 1 | * 9540609 | WASCHPUMPE 0,73 KW KPL. | WASH PUMP 0,73 KW CPL. | POMPE DE LAVAGE 0,73 KW CPL. |
| 2 | V 9519539 | GLEITRINGDICHTUNG KPL. | SLIDING SEAL CPL. | JOINT AXIAL |
| 3 | * 9540713 | PUMPENLAUFRAD | PUMP WHEEL | ROUE DE POMPE |
| 4 | * 9515339 | O-RING | O-RING | BAGUE |
| 5 | 9519356 | PROFILSCHELLE | PROFILE CUP | BRIDE PROFILEE |
| 6 | 0330020 | SCHRAUBE 4,2X13 | SCREW 4,2X13 | VIS 4,2X13 |
| 7 | 9538647 | PUMPENBODEN | PUMP BASE | FOND DE POMP |
| 8 | 9538643 | PUMPENGEHÄUSE | PUMP HOUSING | CORPS DE POMPE |
| 9 | * 9538626 | ANSAUGSIEB KPL. | SUCTION SIEVE CPL. | FILTRE DE ASPIRATION |
| 10 | 0330039 | SCHRAUBE 4,2X22 | SCREW 4,2X22 | VIS 4,2X22 |
| 11 | 9600744 | ABLAUFVENTIL | DRAIN VALVE | VANNE DE VIDANGE |
| 12 | 9601543 | KLAPPE | FLAP | CLAPET |
| 13 | 9549510 | ABWEISBLECH | DEFLECTION SHEET | TOLE DE DEFLECTION |
| 14 | * 0401061 | O-RING | O-RING | BAGUE |
| 15 | * 0501136 | KONDENSATOR | CONDENSER | CONDENSEUR |



PLATON SERVICE
8 (800) 500-34-41
www.platonservice.com

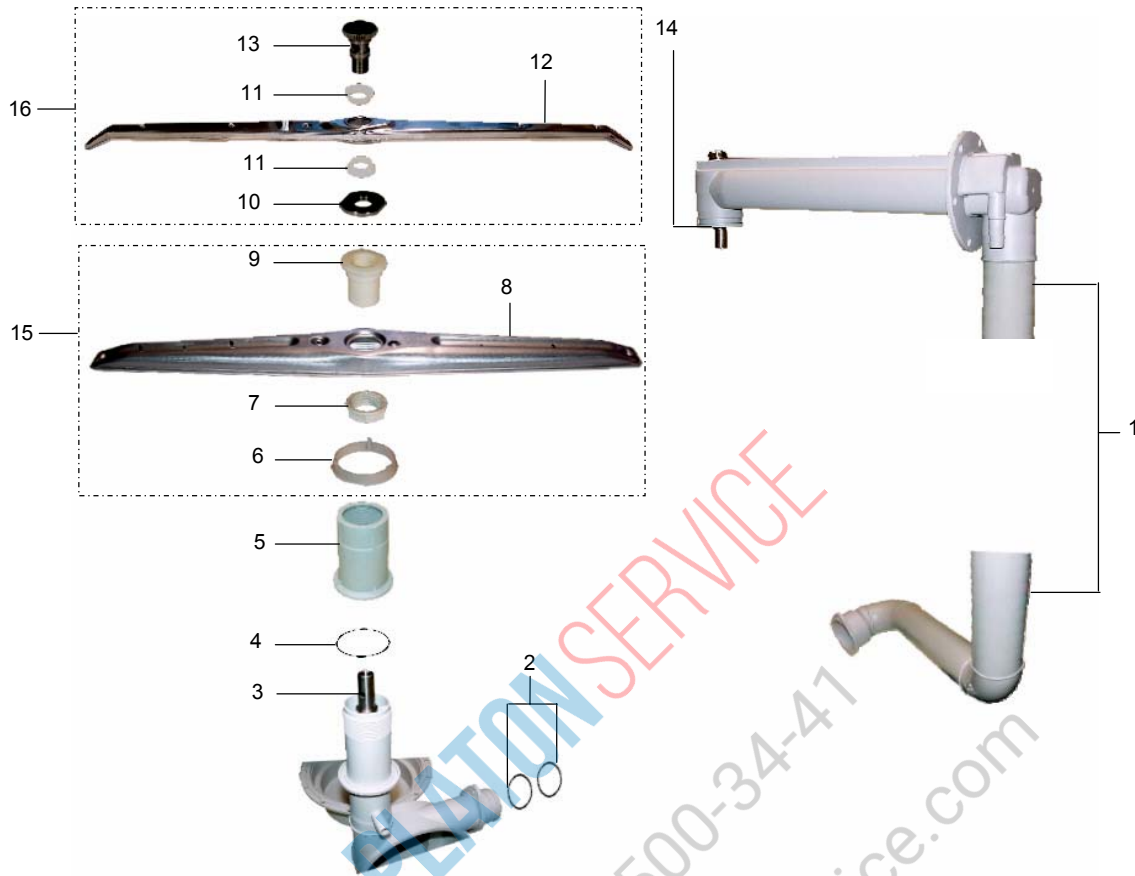
03.24 WASCHSYSTEM

03.24 WASH SYSTEM

03.24 SYSTEME DE LAVAGE



Wn3_24.doc
01.12.2002/BP



| POS | IDENT. NR. IDENT. NO. | BEZEICHNUNG | DESIGNATION | DESIGNATION |
|-----|--------------------------|-------------------|----------------------|----------------------------|
| 1 | 9538681 | STEIGROHR | ASCENDING PIPE | COLONNE DE ELEVATION |
| | 9550244 | STEIGROHR EW | ASCENDING PIPE IS | COLONNE DE ELEVATION AI |
| 2 | 9541533 | O-RING 46X3 | O-RING 46X3 | BAGUE 46X3 |
| 3 | 9514453 | LAGERZAPFEN UNTEN | LOWER BEARING NECK | TOURILLON INF. |
| 4 | * 9541532 | O-RING 54,5X3 | O-RING 54,5X3 | BAGUE 54,5X3 |
| 5 | 9538625 | MUTTER | NUT | ECROU |
| 6 | * 9520931 | RING | RING | BAGUE |
| 7 | * 9517398 | MUTTER | NUT | ECROU |
| 8 | 9517393 | WASCHARM | WASH ARM | BRAS DE LAVAGE |
| 9 | * 9517397 | LAGER | BEARING | PALIER |
| 10 | 9604483 | DISTANZSCHEIBE | DISK | DISQUE |
| 11 | * 9522439 | LAGER | BEARING | PALIER |
| 12 | 9544634 | NACHSPÜLARM KPL. | FINAL RINSE ARM | BRAS DE RINCAGE FINAL |
| 13 | 9517409 | RÄNDELSCHRAUBE | KNURLED SCREW | VIS MOLETEE |
| 14 | 9538645 | BEFESTIGUNGSROHR | FIXING TUBE | TUYAU DE FIXATION |
| | 9550206 | VERSCHLUSSKAPPE | CLOSING CAP | CAPOUCHON |
| | 8004468 | DISTANTZSCHEIBE | SPACER DISC | DISQUE D'ECARTEMENT |
| | 0401016 | O-RING 21X2 | O-RING 21X2 | BAGUE 21X2 |
| 15 | 9517391 | WASCHARM KPL. | WASH ARM CPL. | BRAS DE LAVAGE CPL. |
| 16 | 9547257 | NACHSPÜLARM KPL. | FINAL RINSE ARM CPL. | BRAS DE RINCAGE FINAL CPL. |

04.14 MAGNETVENTIL

04.14 SOLENOID VALVE

04.14 ELECTROVANNE



Mv4_14.doc
01.12.2002/FUS



| POS | IDENT. NR. IDENT. NO. | BEZEICHNUNG | DESIGNATION | DESIGNATION |
|-----|--------------------------|--------------------------------------|-----------------------------------|---|
| | | FÜR GROSSBRITANNIEN | FOR GREAT BRITAIN | POUR GRANDE-BRETAGNE |
| 1 | * 9546090 | AQUASTOP SYSTEM WRC 24V | AQUASTOP SYSTEM WRC 24V | SYSTEME DE AQUASTOP WRC 24V |
| 1 | * 9543975 | AQUASTOP SYSTEM 24V | AQUASTOP SYSTEM 24V | SYSTEME DE AQUASTOP 24V |
| 2 | 9552422 | DICHTUNGSSATZ MIT MENGEN- REGELER | SEAL SET WITH FLOW REGULA- TOR | JEU DE GARNITURES D'ETAN- CHEITE AVEC REGULATEUR DE DEBIT |
| 3 | * 9520085 | MIKROSCHALTER | SWITCH | INTERUPTEUR |
| 4 | * 9519580 | BODENSCHWIMMERSCHALTER KPL. | GROUND FLOAT SWITCH CPL. | FLOTTEUR AU SOL CPL. |
| | | FÜR NIEDERLANDE | FOR NETHERLANDS | POUR LES PAYS-BAS |
| 5 | 9606519 | RÜCKSCHLAGVENTIL 3/4" | CHECK VALVE 3/4" | CLAPET ANTI-RETOUR 3/4" |
| 6 | 0408225 | DICHTUNG | SEAL | GARNITURE D'ÉTANCHÉITÉ |

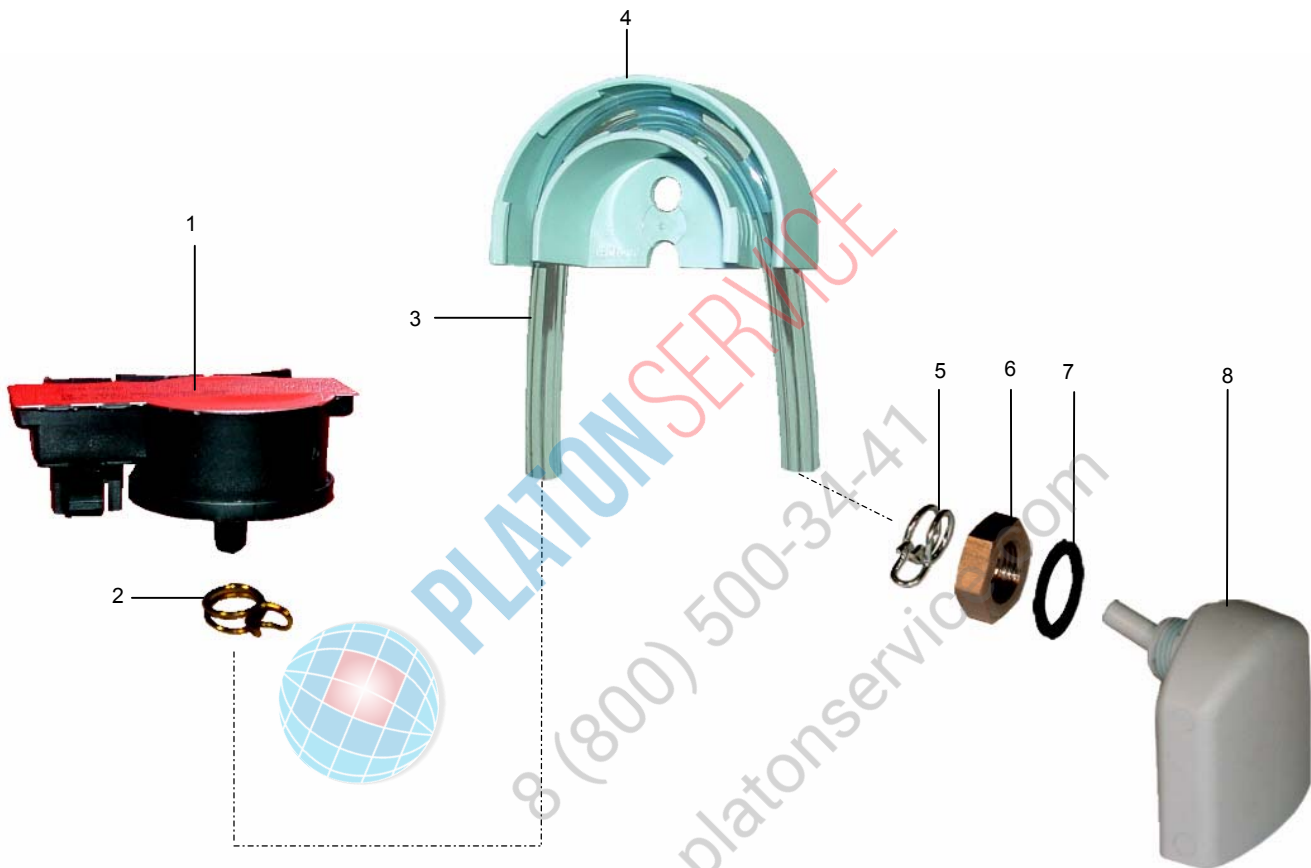
06.07 NIVEAUREGELUNG

06.07 LEVEL CONTROL

06.07 REGULATION DE NIVEAU



Nvr6_7b.doc
01.07.2002/FUS



| POS | IDENT. NR. IDENT. NO. | BEZEICHUNG | DESIGNATION | DESIGNATION |
|-----|--------------------------|-----------------------|------------------------|---------------------------|
| 1 | * 9537961 | DRUCKSENSOR | LEVEL SWITCH | INTERRUPTEUR DE NIVEAU |
| 2 | * 9500044 | SCHLAUCHKLEMME SILBER | HOSE WIRE CLAMP SILVER | COLLIER DE SERRAGE ARGENT |
| 3 | * 0260006 | SCHLAUCH KLARSICHT Ø5 | HOSE TRANSPARENT Ø5 | TUYAU TRANSPARENT Ø5 |
| 4 | 9601265 | SCHLAUCHHALTER | HOSE BRACKET | SUPPORT DE TUYAU |
| 5 | * 9500045 | SCHLAUCHKLEMME GELB | HOSE WIRE CLAMP YELLOW | COLLIER DE SERRAGE JAUNE |
| 6 | 9515957 | MUTTER 3/8" | NUT 3/8" | ECROU 3/8" |
| 7 | * 9515964 | DICHTUNG | PACKING | JOINT |
| 8 | * 9515955 | LUFTFALLE | AIR TRAP | CHAMBRE DE COMPRESSION |

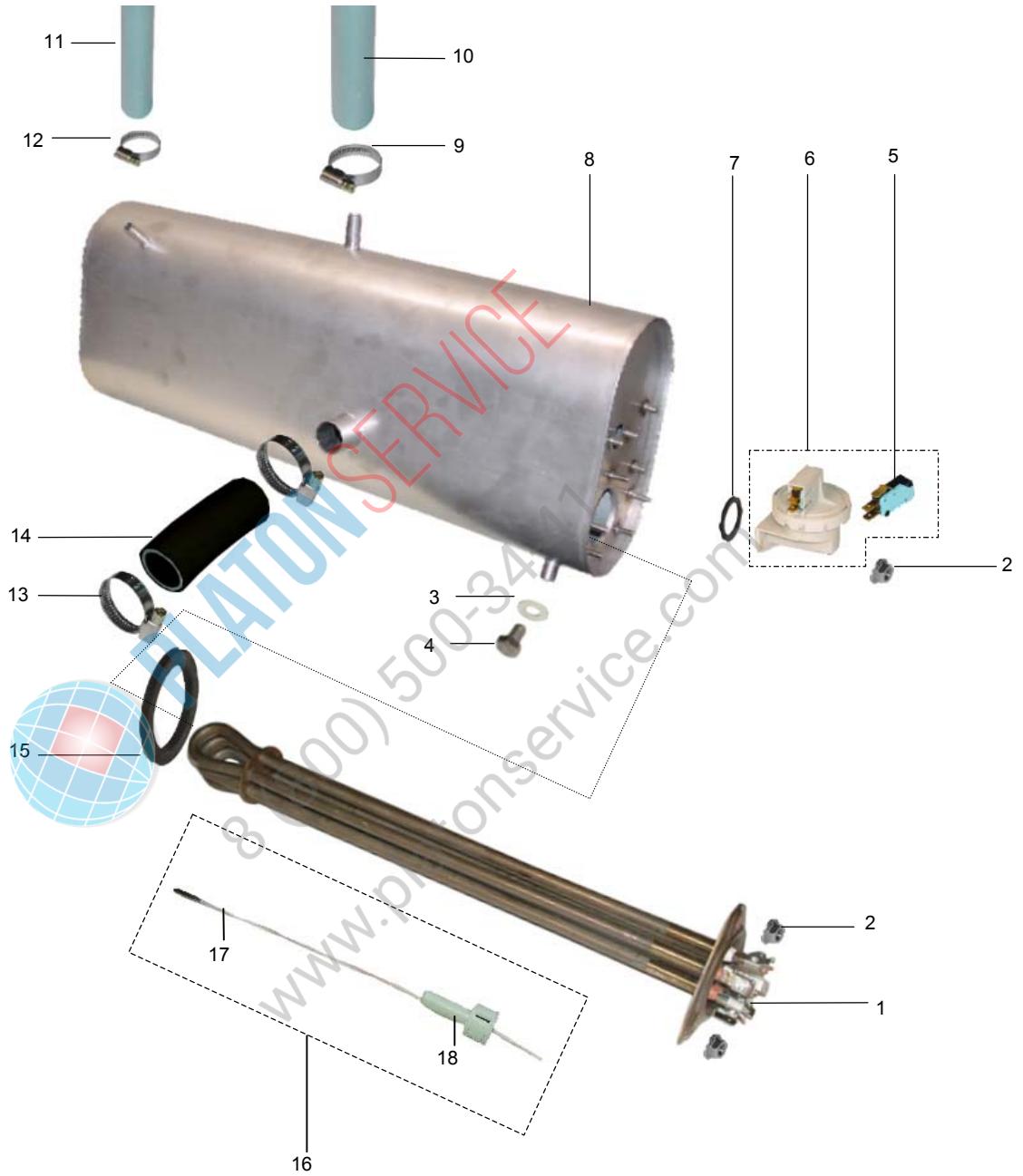
08.38 EINBAUBOILER

08.38 INCORPORATED BOILER

08.38 SURCHAUFFEUR INCORPORE



BH8_38.doc
01.01.2003/FUS



08.38 EINBAUBOILER

08.38 INCORPORATED BOILER

08.38 SURCHAUFFEUR INCORPORE



BH8_38.doc
01.01.2003/FUS

| POS | IDENT. NR. IDENT. NO. | BEZEICHNUNG | DESIGNATION | DESIGNATION |
|-----|--------------------------|---------------------------------------|--|---|
| 1 | * 9519591 | HEIZKÖRPER 9 KW MIT THERMO-SICHERUNG | HEATING ELEMENT 9 KW WITH THERMAL PROTECTION | RESISTANCE 9 KW AVEC PROTECTION THERMIQUE |
| | * 9519590 | HEIZKÖRPER 7,5 KW MIT THERMOSICHERUNG | HEATING ELEMENT 7,5 KW WITH THERMAL PROTECTION | RESISTANCE 7,5 KW AVEC PROTECTION THERMIQUE |
| 2 | 0335008 | MUTTER M5 | NUT M5 | ECROU M5 |
| 3 | 9522687 | DICHTUNG | PACKING | JOINT |
| 4 | 0302006 | SCHRAUBE M8X15 | SCREW M8X15 | VIS M8X15 |
| 5 | * 9544800 | MIKROSCHALTER | SWITCH | INTERRUPTEUR |
| 6 | * 9519033 | NIVEAUSCHALTER KPL | LEVEL SWITCH CPL | INTERRUPTEUR DE NIVEAU CPL |
| 7 | * 0401014 | O-RING | O-RING | BAGUE |
| 8 | 9538706 | EINBAUBOILERGEHÄUSE KPL | BOILER HOUSING CPL | BOITE DE SURCHAUFFEUR CPL |
| 9 | 0233035 | SCHLAUCHKLEMME 12/20 | HOSE WIRE CLAMP 12/20 | COLLIER DE SERRAGE 12/20 |
| 10 | 0640030 | SCHLAUCH 3/8" | HOSE 3/8" | TUYAU 3/8" |
| 11 | 0640012 | SCHLAUCH 1/2" | HOSE 1/2" | TUYAU 1/2" |
| 12 | 0233035 | SCHLAUCHKLEMME 12/20 | HOSE WIRE CLAMP 12/20 | COLLIER DE SERRAGE 12/20 |
| 13 | 0233045 | SCHLAUCHKLEMME 20/32 | HOSE WIRE CLAMP 20/32 | COLLIER DE SERRAGE 20/32 |
| 14 | 9005525 | SCHLAUCH 28 X 4 - 55 | HOSE 28 X 4 - 55 | TUYAU 28 X 4 - 55 |
| 15 | * 0101176 | HEIZKÖRPERDICHTUNG | HEATING ELEMENT PACKING | JOINT DE RESISTANCE |
| 16 | 9548993 | TEMPERATURFÜHLER MONTAGEBAUGRUPPE. | TEMPERATURE PROBE ASSEMBLY. | SONDE DE TEMPERATURE JEU DE MONTAGE |
| 17 | 9545533 | TEMPERATURFÜHLER | TEMPERATURE PROBE | SONDE DE TEMPERATURE |
| 18 | 9546428 | KABELSCHELLE | CABLE CLIP | COLLIER DE CÂBLE |

09.17 TANKHEIZUNG

09.17 TANK HEATING

09.17 CHAUFFAGE DE BAC



Th9_17.doc
01.12.2002FUS



| POS | IDENT. NR. IDENT. NO. | BEZEICHNUNG | DESIGNATION | DESIGNATION |
|-----|--------------------------|-------------------------|----------------------------|---------------------------|
| 1 | * 9546104 | HEIZKÖRPER 1,3 KW | HEATING ELEMENT 1,3 KW | RESISTANCE 1,3 KW |
| | * 9546105 | HEIZKÖRPER 2 KW | HEATING ELEMENT 2 KW | RESISTANCE 2 KW |
| 2 | * 0408008 | FLACHDICHTUNG 14X25X1,5 | FLAT PACKING 14X25X1,5 | GARNITURE PLATE 14X25X1,5 |
| 3 | 9548754 | BERÜHRUNGSSCHUTZ | PROTECTION AGAINST CONTACT | PROTECTION CONTRE CONTACT |

10.14 DOSIERGERÄTE

10.14 DOSING UNITS

10.14 DOSEURS

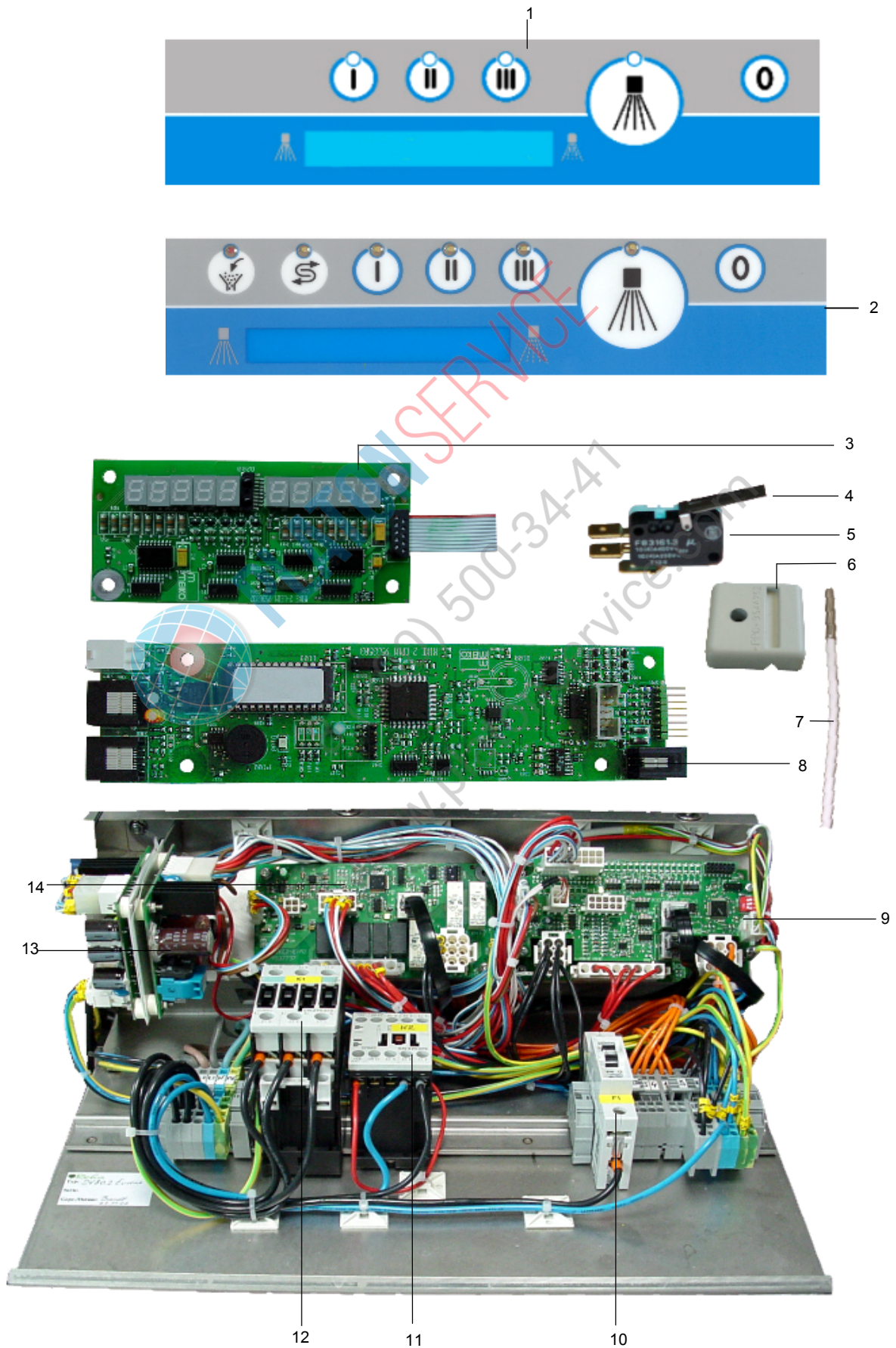


| POS | IDENT. NR. IDENT. NO. | BEZEICHNUNG | DESIGNATION | DESIGNATION |
|-----|--------------------------|--------------------------|----------------------------|-----------------------------------|
| 1 | * 9544293 | KLARSPÜLDOSIERPUMPE KPL. | RINSE AID DOSING PUMP CPL. | POMPE DE DOSAGE TENSIO ACTIF CPL. |
| 2 | V 9544088 | SCHLAUCH KLARSPÜLER KPL. | HOSE RINSE AID CPL. | TUYAU PRODUIT TENSIO ACTIF CPL. |
| 3 | * 9500045 | SCHLAUCHKLEMME GELB | HOSE WIRE CLAMP YELLOW | COLLIER DE SERRAGE JAUNE |
| 4 | * 9538712 | SCHLAUCH BLAU Ø6 | HOSE BLUE Ø6 | TUYAU BLEU Ø6 |
| 5 | 8000013 | SCHLAUCHANSCHLUß | HOSE CONNECTION | CONNEXION DE TUYAU FLEXIBLE |
| 6 | * 9603787 | FLACHDICHTUNG 10X16X2 | FLAT PACKING 10X16X2 | GARNITURE PLATE 10X16X2 |
| 7 | 9603790 | FEDERSCHEIBE M10 | SPRING WASHERV M10 | RONDELLE ELASTIQUE M10 |
| 8 | 0340005 | U-SCHEIBE | LIMPET | RONDELLE |
| 9 | 0335019 | SECHSKANTMUTTER | HEXAGON NUT | ECROU A SIX PANS |
| 10 | * 0260007 | SCHLAUCH KLARSICHT Ø6 | HOSE TRANSPARENT Ø6 | TUYAU TRANSPARENT Ø6 |
| 11 | V 9511675 | SCHLAUCH REINIGER KPL | HOSE DETERGENT CPL. | TUYAU DETERGENT CPL. |
| 12 | * 9544292 | REINIGERDOSIERPUMPE KPL | DETERGENT DOSING PUMP CPL. | POMPE DE DOSAGE DETERGENT CPL. |

11.43 ELEKTRONIKSTEUERUNG

11.43 ELECTRONIC CONTROL

11.43 COMMAND DE ELECTRONIQUE



11.43 ELEKTRONIKSTEUERUNG

11.43 ELECTRONIC CONTROL

11.43 COMMAND DE ELECTRONIQUE



EL11_43.doc
01.04.2003/BP

| POS | IDENT. NR. IDENT. NO. | BEZEICHNUNG | DESIGNATION | DESIGNATION |
|-----|--------------------------|-----------------------------------|-------------------------------------|--|
| 1 | * 9542078 | FOLIENSTASTATUR DV 80.2 | SENSOR TOUCH PANEL DV 80.2 | CLAVIER SENSITIF DV 80.2 |
| 2 | * 9541543 | FOLIENSTASTATUR DV 80.2 EW | SENSOR TOUCH PANEL DV 80.2 IS | CLAVIER SENSITIF DV 80.2 AI |
| 3 | 9542049 | MONTAGESATZ ANZEIGENPLATINE | ASSEMBLY KIT SCALE CIRCUIT BOARD | KIT D'INSTALLATION UNITE CEN- TRALE PLATINE D'AFFICHAGE |
| 4 | * 0122106 | HEBEL FÜR MIKROSCHALTER | LEVER FOR SENSITIVE SWITCH | LEVIER POUR MICRORUPTEUR |
| 5 | * 9544800 | MIKROSCHALTER | SWITCH | INTERRUPTEUR |
| 6 | 9544752 | ABDECKUNG | COVER | CHAPPE |
| 7 | * 9545533 | TEMPERATURFÜHLER BOILER / TANK | TEMPERATURE PROBE BOILER / TANK | SONDE DE TEMPERATURE SUR- CHAUFFEUR / BAC |
| 8 | * 9541525 | MONTAGESATZ CPU | ASSEMBLY KIT CPU | KIT D'INSTALLATION UNITE CEN- TRALE |
| 9 | * 9533501 | E/A1 PLATINE | E/A1 CIRCUIT BOARD | E/A1 PLATINE |
| 10 | * 9540605 | SICHERUNGSAUTOMAT B10 | FUSE BLOCK | COUPE CIRCUIT AUTOMATIQUE |
| 11 | 9521021 | SCHÜTZ | CONTACTOR | CONTACTEUR |
| 12 | 9542897 | SCHÜTZ | CONTACTOR | CONTACTEUR |
| | 9550241 | HILFSSCHALTER SCHÜTZ | EMERGENCY CONTACTOR | CONTACTEUR DE SECOURS |
| 13 | * 9533502 | NETZTEIL | POWER UNIT | BLOC DE'ADIMENTATION |
| 14 | 9537737 | E/A2 PLATINE | E/A2 CIRCUIT BOARD | E/A2 PLATINE |
| | 9540591 | FLACHBANDKABEL 1500MM | RIBBON CABLE 1500MM | CABLE A RUBAN 1500MM |
| | 9540552 | EPROM | EPROM | EPROM |
| | 9547196 | E-EPROM 400V 3 NPE | E-EPROM 400V 3 NPE | E-EPROM 400V 3 NPE |
| | 9550216 | E-EPROM 400V 3 NPE / EW | E-EPROM 400V 3 NPE / IS | E-EPROM 400V 3 NPE / AI |
| | 9550349 | E-EPROM 230/400V 3 NPE | E-EPROM 230/400V 3 NPE | E-EPROM 230/400V 3 NPE |
| | 9550445 | E-EPROM 230/400V 3 NPE / EW | E-EPROM 230/400V 3 NPE / IS | E-EPROM 230/400V 3 NPE / AI |
| | 9007304 | KLEBEFOLIE | FOIL | FEUILLE |

13.29 BAUGRUPPEN / EINZELTEILE

13.29 COMPONENT BLOCKS / PARTS

13.29 BLOCS / PIÈCES DETACHÉES



BE13_29.doc
01.01.2003/FUS



| POS | IDENT. NR. IDENT. NO. | BEZEICHNUNG | DESIGNATION | DESIGNATION |
|-----|--------------------------|-------------------------------------|--------------------------|--|
| 1 | 8004137 | FEDERKASTENABDECKUNG | SPRING HOUSING COVER | RECOUVREMENT DE LA BOITE DES RESSORTS |
| 2 | 9539341 | SEITENVERKLEIDUNG | SIDE CLADDING | REVETEMENT LATERAL |
| 3 | 9544078 | RÜCKWAND | CLADDING, BACK | REVETEMENT ARRIERE |
| 4 | * 9500378 | TISCHSTOLLEN KPL. | TABLE FEET | PIEDS DE TABLE |
| 5 | 9604021 | FRONTRLENDE | FRONT SHEET | TOLE FRONTALE |
| | 9547313 | DICHTBAND | SEALING STRIP | BANDE ADHÉSIVE D'ÉTANCHÉITÉ |
| 6 | 8004529 | HAUBE KPL. | HOOD | CAPOT CPL. |
| | 9540851 | SIEBABDECKUNG RECHTS | COVERING SIEVE RIGHTCPL. | RECOUVREMENT DE TAMIS DROITE CPL. |
| | 9540865 | SIEBABDECKUNG LINKS | COVERING SIEVE LEFTCPL. | RECOUVREMENT DE TAMIS GAU- CHE CPL. |
| | 9544199 | KORBTRÄGER KPL. | BASKET GUIDE RAIL COMPL. | SUPPORT DE PANIERS COMPL. |
| | 0620455 | ABSTANDSHALTER FÜR VERKLEIDUNGEN | SPACER FOR CLADDING | ECARTEUR POUR REVETEMENT |
| | 0463052 | HAUBENFÜHRUNG RECHTS | HOOD ROD RIGHT HAND SIDE | BARRE DE CAPOT DROITE |
| | 0463053 | HAUBENFÜHRUNG LINKS | HOOD ROD LEFT HAND SIDE | BARRE DE CAPOT GAUCHE |

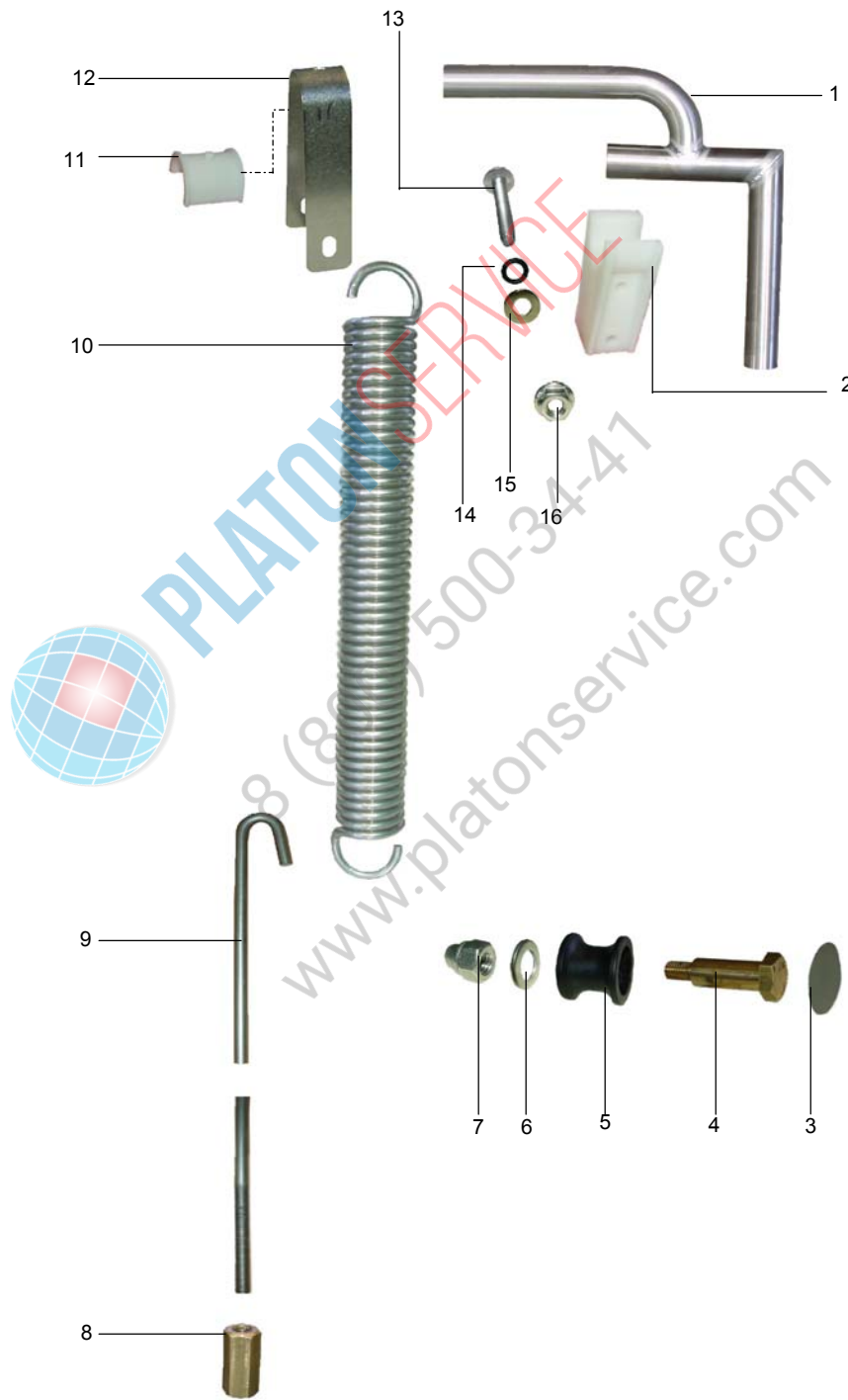
14.08 HAUBENGESTÄNGE

14.08 HOOD ROD

14.08 BARRE DE CAPOT



Hg14_8.doc
01.12.2002/BP



14.08 HAUBENGESTÄNGE

14.08 HOOD ROD

14.08 BARRE DE CAPOT



Hg14_8.doc
01.12.2002/BP

| POS | IDENT. NR. IDENT. NO. | BEZEICHNUNG | DESIGNATION | DESIGNATION |
|-----|--------------------------|---------------------------------------|--|---|
| 1 | 0251103 | HAUBENGESTÄNGE DV 80 T | HOOD ROD DV 80 T | BARRE DE CAPOT DV80 T |
| 2 | 0620449 | LAGERUNG FÜR HAUBEN- GESTÄNGE | HOOD ROD BEARING | COUSSINET POUR BARRE DE CAPOT |
| 3 | 8004480 | DECKEL FÜR HAUBENROLLE | HOOD ROLLER COVER | COUVERDE P. GALET DE CAPOT |
| 4 | 8000220 | ROLLENBOLZEN SW 17 X 51 - M 8 | ROLLER BOLT SW 17 X 51 - M 8 | BOULON A ROULEAUX SW 17 X 51 - M 8 |
| 5 | 0620451 | HAUBENROLLE K 409 | HOOD ROLLER K 409 | GALET DE CAPOT K 409 |
| 6 | 0340006 | U-SCHEIBE 8,4 X 18 X 2 | FRONT DISC 8,4 X 18 X 2 | RONDELLE 8,4 X 18 X 2 |
| 7 | 0337005 | HUTMUTTER SELBST- SICHERND, M 8 | CAP NUT SELFLOCKING M 8 | ECROU BORGNE, INDESSER- RABLE, M 8 |
| 8 | 8004147 | SPANNMUTTER M 8 | TENSION NUT M 8 | ECROU TENDEUR M 8 |
| 9 | * 8004425 | SPANNSCHRAUBE M 8 760 LANG | TENSION SCREW M 8 760 LONG | VIS DE TENSION M 8 760 LONG |
| 10 | * 0430006 | ZUGFEDER 372 X 46,5 X 6,5 | TENSION SPRING 372 X 46,5 X 6,5 | RESSORT DE TRACTION 372 X 46,5 X 6,5 |
| 11 | 0620445 | GLEITLAGER FEDERAUF- HÄNGUNG K 399 | SLIDING BEARING FOR SPRING SUSPENSION K 399 | PALIER-GLISSEUR POUR SUSP. DE RESSORT SUP. K 399 |
| 12 | 8004144 | FEDERAUFHÄNGUNG OBEN | UPPER SPRING SUSPENDER | SUSPENDEUR DE RESSORT SUP. |
| 13 | 9541450 | LINSENSCHRAUBE | OVAL HEAT SCREW | VIS À TÊTE BOMBÉE |
| 14 | 9541531 | O-RING | O-RING | BAGUE |
| 15 | 0340005 | U-SCHEIBE 10,5 X 18 X 1,6 | FRONT DISC 10,5 X 18 X 1,6 | RONDELLE 10,5 X 18 X 1,6 |
| 16 | 0335043 | SECHSKANTMUTTER | HEXAGON NUT | ECROU A SIX PANS |

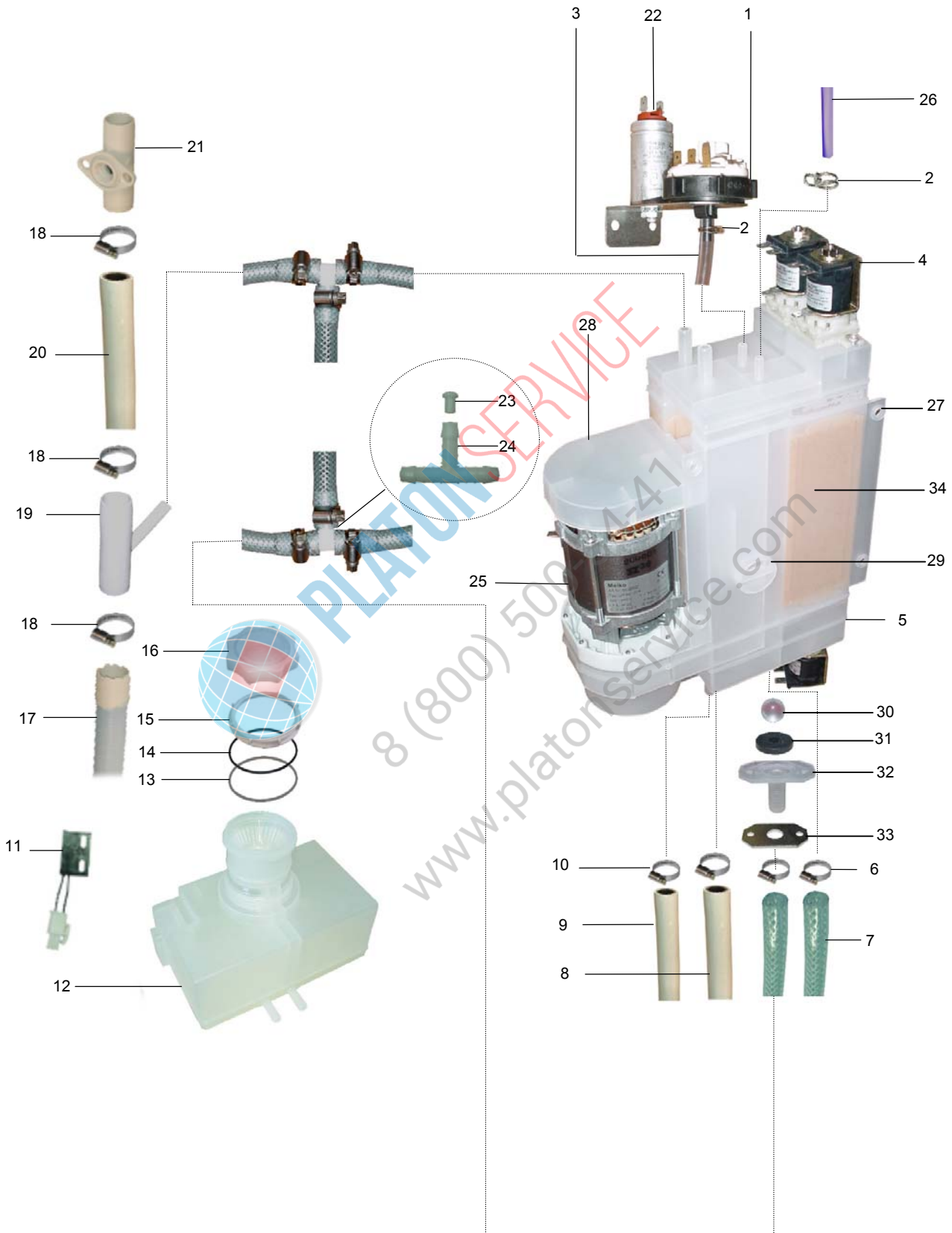
16.03 EINBAUWASSERENTHÄRTER

16.03 INCORPORATED SOFTENER

16.03 ADOUCISSEUR INCORPORE



EW16_3.doc
07.04.2003/BP



16.03 EINBAUWASSERENTHÄRTER

16.03 INCORPORATED SOFTENER

16.03 ADOUCISSEUR INCORPORE



EW16_3.doc
07.04.2003/BP

| POS | IDENT. NR. IDENT. NO. | BEZEICHNUNG | DESIGNATION | DESIGNATION |
|-----|--------------------------|---|--|--|
| 1 | * 0130026 | NIVEAUSCHALTER | LEVEL SWITCH | INTERRUPTEUR DE NIVEAU |
| 2 | * 9500045 | SCHLAUCHKLEMME GELB | HOSE WIRE CLAMP YELLOW | COLLIER DE SERRAGE JAUNE |
| 3 | * 0260007 | SCHLAUCH KLARSICHT Ø6 | HOSE TRANSPARENT Ø6 | TUYAU TRANSPARENT Ø6 |
| 4 | 9545436 | MAGNETVENTIL | SOLENOID VALVE | ELECTROVANNE |
| 5 | 9547536 | WASSERENTHÄRTUNGSGERÄT | INCORPORATED SOFTENER | ADOUCISSEUR INCORPORE |
| 6 | 0233036 | SCHLAUCHKLEMME 10/16 | HOSE WIRE CLAMP 10/16 | COLLIER DE SERRAGE 10/16 |
| 7 | 9534470 | SCHLAUCH | HOSE | TUYAU |
| 8 | 0640012 | SCHLAUCH 1/2" | HOSE 1/2" | TUYAU 1/2" |
| 9 | 0640030 | SCHLAUCH 3/8" | HOSE 3/8" | TUYAU 3/8" |
| 10 | 0233035 | SCHLAUCHKLEMME 12/20 | HOSE WIRE CLAMP 12/20 | COLLIER DE SERRAGE 12/20 |
| 11 | 0122070 | REEDSCHALTER | SWITCH | INTERRUPTEUR |
| 12 | 9541129 | SALZLÖSEBEHÄLTER | SALT DISSOLVING CONTAINER | RESERVOIR-DISSOLUTION DU SEL |
| 13 | 9534626 | STÜTZRING | SUPPORT RING | BAGUE DE SUPPORT |
| 14 | 9533155 | O-RING 66X3 | O-RING 66X3 | BAGUE 66X3 |
| 15 | 9528958 | MUTTER | NUT | ECROU |
| 16 | 9532583 | DECKEL KPL. | LID CPL. | COUVERCLE CPL. |
| 17 | 0640037 | SCHLAUCH | HOSE | TUYAU |
| 18 | 0233045 | SCHLAUCHKLEMME 20/32 | HOSE WIRE CLAMP 20/32 | COLLIER DE SERRAGE 20/32 |
| 19 | 9533227 | SCHLAUCHVERBINDUNG Y-FORM | Y HOSE CONNECTION | Y CONNEXION DE TUYAU |
| 20 | 0640049 | SCHLAUCH 3/4" | HOSE 3/4" | TUYAU 3/4" |
| 21 | 9515230 | BELÜFTUNGSVENTIL | VENT VALVE | VALVE D'AERATION |
| 22 | * 9520030 | KONDENSATOR | CONDENSER | CONDENSEUR |
| 23 | 9534818 | DROSSEL | THROTTLE | ETRANGLEMENT |
| 24 | 9534819 | SCHLAUCHVERBINDUNG T-FORM | T HOSE CONNECTION | T CONNEXION DE TUYAU |
| 25 | 9532002 | DRUCKSTEIGERUNGSPUMPE 220-240V 50HZ | BOOSTER PUMP 220-240V 50HZ | SURPRESSEUR 220-240V 50HZ |
| 26 | 9538712 | SCHLAUCH | HOSE | TUYAU |
| 27 | 9511585 | O-RING 12X3 (NICHT ABGEBILDET) | O-RING 12X3 (NOT DISPLAYED) | BAGUE 12X3 (PAS D'IMAGE) |
| 28 | 9532612 | ABDECKUNG | COVER | RECOUVERMENT |
| 29 | 0650076 | DICHTUNG (NICHT ABGEBILDET) | SEAL (NOT DISPLAYED) | GARNITURE D'ETANCHEITE (PAS D'IMAGE) |
| 30 | 9529661 | KUGEL FÜR RÜCKSCHLAGVENTIL | BALL FOR CHECK VALVE | ROBINET POUR CLAPET ANTI- RETOUR |
| 31 | 9527332 | DICHTUNG FÜR RÜCKSCHLAG- VENTIL | PACKING FOR CHECK VALVE | JOINT POUR CLAPET ANTI- RETOUR |
| 32 | 9527331 | ANSCHLUßSTUTZEN FÜR RÜCK- SCHLAGVENTIL | CONNECTION PIECE FOR FOR CHECK VALVE | PIECE DE CONNEXION POUR CLAPET ANTI-RETOUR |
| 33 | 9553043 | FLANSCHPLATTE | FLANGE PLATE | PLAQUE DE BRIDE |
| 34 | 9603362 | BEHÄLTER OHNE PUMPE/VENTILE/DECKEL | STORAGE TANK WITHOUT PUMP/VALVE/COVER | RESERVOIR SANS POMPE/VIDANGE/ RECOU- VERMENT |

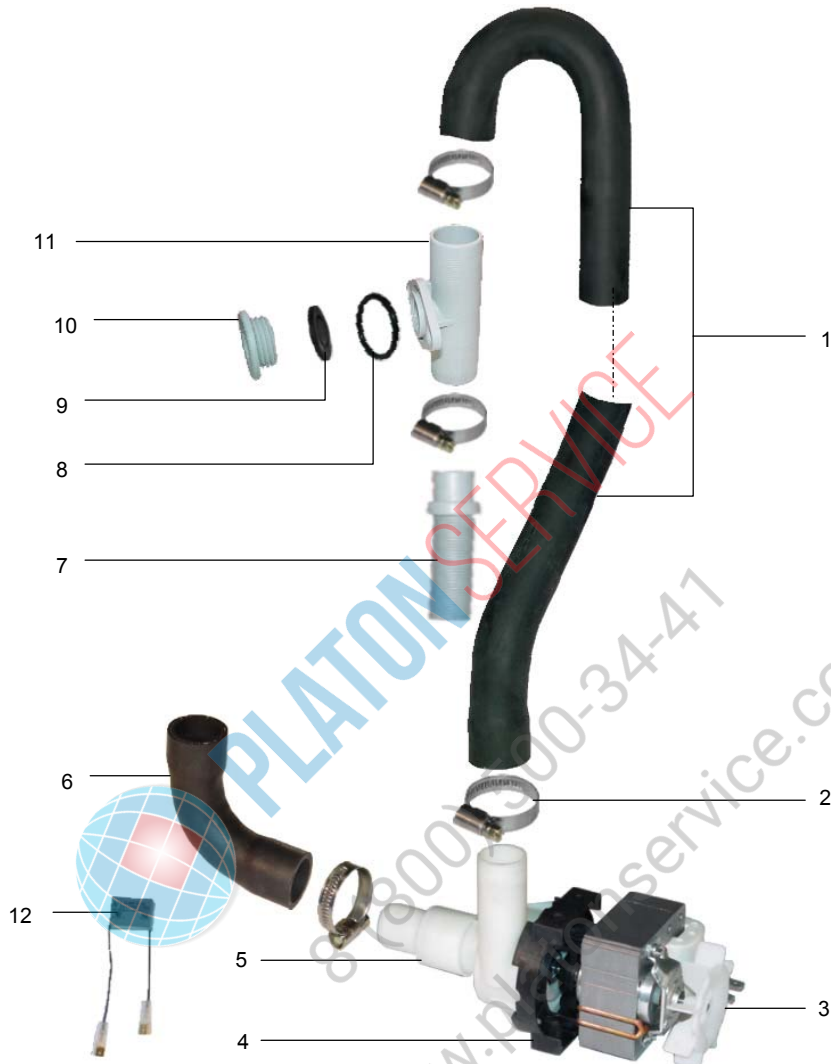
18.12 LAUGENPUMPE

18.12 DRAIN PUMP

18.12 POMPE DE VIDANGE



LP18_12.doc
01.01.2003/FUS



| POS | IDENT. NR. IDENT. NO. | BEZEICHUNG | DESIGNATION | DESIGNATION |
|-----|--------------------------|----------------------|-----------------------|--------------------------|
| 1 | 9539185 | SCHLAUCH | HOSE | TUYAU |
| 2 | 0233045 | SCHLAUCHKLEMME 20/32 | HOSE WIRE CLAMP 20/32 | COLLIER DE SERRAGE 20/32 |
| 3 | * 9544233 | LAUGENPUMPE KPL. | DRAIN PUMP CPL. | POMPE DE VIDANGE CPL. |
| 4 | * 9523850 | O-RING | O-RING | BAGUE |
| 5 | 9523849 | PUMPENGEHÄUSE | PUMP HOUSING | CORPS DE POMPE |
| 6 | 9514680 | SCHLAUCH | HOSE | TUYAU |
| 7 | 0640037 | SCHLAUCH | HOSE | TUYAU |
| 8 | * 0401016 | O-RING 21X2 | O-RING 21X2 | BAGUE 21X2 |
| 9 | * 9515234 | DICHTUNG | PACKING | JOINT |
| 10 | 9515231 | SCHRAUBE | SCREW | VIS |
| 11 | 9515229 | BELÜFTUNGSVENTIL | VENT VALVE | VALVE D'AERATION |
| 12 | 9550030 | R-C BAUTEIL | R-C UNIT | ELEMENT RC |

22.15 DRUCKSTEIGERUNGSPUMPE

22.15 BOOSTER PUMP

22.15 SURPRESSEUR



| POS | IDENT. NR. IDENT. NO. | BEZEICHUNG | DESIGNATION | DESIGNATION |
|-----|--------------------------|----------------------------|-----------------------|--------------------------|
| 1 | 0233045 | SCHLAUCHKLEMME 20/32 | HOSE WIRE CLAMP 20/32 | COLLIER DE SERRAGE 20/32 |
| 2 | 0640012 | SCHLAUCH 1/2" | HOSE 1/2" | TUYAU 1/2" |
| 3 | 9601255 | SCHLAUCHVERTEILER | DISTRIBUTION PIPE | DISTRIBUTION DE TUYAU |
| 4 | 9601260 | SCHLAUCH | HOSE | TUYAU |
| 5 | * 9544228 | DRUCKSTEIGERUNGSPUMPE KPL. | BOOSTER PUMP CPL. | SURPRESSEUR CPL. |
| | * 9523267 | PUMPENLAUFRAD | PUMP WHEEL | ROUE DE POMPE |
| | * 9523844 | GLEITRINGDICHTUNG KPL. | SLIDING SEAL CPL. | JOINT AXIAL CPL. |
| | * 9523260 | O-RING | O-RING | BAGUE |
| 6 | * 9520030 | KONDENSATOR | CONDENSER | CONDENSEUR |
| 7 | 9601261 | SCHLAUCH | HOSE | TUYAU |

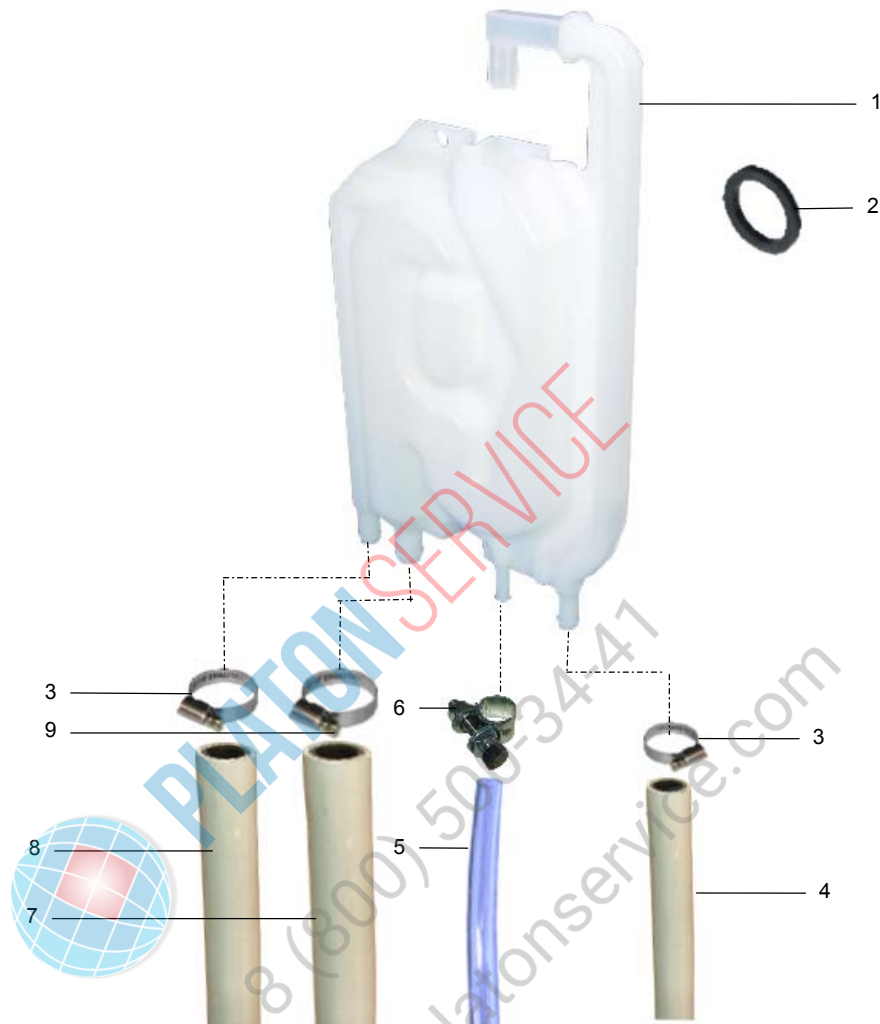
24.07 FREIER AUSLAUF

24.07 AIR GAP

24.07 ECOULEMENT LIBRE



Fa24_7.doc
01.12.2002/FUS



| POS | IDENT. NR. IDENT. NO. | BEZEICHNUNG | DESIGNATION | DESIGNATION |
|-----|--------------------------|------------------------|-------------------------|----------------------------|
| 1 | * 9523195 | FREIER AUSLAUF KPL. | AIR GAP CPL. | ECOULEMENT LIBRE CPL. |
| 2 | * 0650076 | DICHTUNG | PACKING | JOINT |
| 3 | 0233036 | SCHLAUCHKLEMME 10/16 | HOSE WIRE CLAMP 10/16 | COLLIER DE SERRAGE 10/16 |
| 4 | 9546090 | AQUASTOP SYSTEM WRC | AQUASTOP SYSTEM WRC | SYSTEME DE AQUASTOP WRC |
| | 9543975 | AQUASTOP SYSTEM | AQUASTOP SYSTEM | SYSTEME DE AQUASTOP |
| 5 | 9538712 | SCHLAUCH BLAU Ø6 | HOSE BLUE Ø6 | TUYAU BLEU Ø6 |
| 6 | 9605930 | SCHLAUCHKLEMME 8,5-9,5 | HOSE WIRE CLAMP 8,5-9,5 | COLLIER DE SERRAGE 8,5-9,5 |
| 7 | 0640012 | SCHLAUCH 1/2" | HOSE 1/2" | TUYAU 1/2" |
| 8 | 0640030 | SCHLAUCH 3/8" | HOSE 3/8" | TUYAU 3/8" |
| 9 | 0233043 | SCHLAUCHKLEMME 12/22 | HOSE WIRE CLAMP 12/22 | COLLIER DE SERRAGE 12/22 |



PLATONSERVICE

8 (800) 500-34-47

www.platonservice.com

Das Programm auf einen Blick

1

**Spülautomaten mit stationärem
Waschverfahren**
Geschirr- und Gläserspülautomaten;
Topf- und Behälterspülautomaten;
Salat- und Gemüsewaschautomaten

2

Spülautomaten mit Durchlaufsystem
Geschirrspülautomaten mit Bandtransport-,
Korbtransport- oder Umlaufsystem

3

Spezialspülanlagen
Vollautomatische Spülanlagen für Geschirr,
Tablets und Besteck; Flight-Catering-
Anlagen; Industriespülautomaten; Trolley-,
Behälter- und Transportwagenspülanlagen

4

Förderanlagen
Tablett- und Geschirrttransportbänder,
Geschirrsortier- und Stapleinrichtungen

5

Speisereste-Behandlungsanlagen
Maschinen und Anlagen zur Aufbereitung
von Speiseresten für eine umweltgerechte
Entsorgung

6

Großkücheneinrichtungen
Geräte und Mobiliar für Relais- und Stations-
küchen; Transportwagen; Tablett- und Teller-
stapler; Tische, Schränke und Regale aus
Edelstahl; diverse Organisationsmittel

7

**Sanitäreinrichtungen für Krankenhäuser
und Heime**
Reinigungs- und Desinfektionsautomaten
für Steckbecken und andere Pflegegeschirre;
Pflegekombinationen; Komplettausstattung
für Unreine Arbeitsräume

Our product range

Automatic dishwashing machines
with fixed washing system

**Belt conveyor and rack transport
machines**
for continuous throughput operations

Special purpose warewashing solutions
such as semi and fully automatic systems,
designed for the catering industry in general

Conveying systems
for vertical and horizontal transport of trays
and dishes

Food waste treatment systems
Water conditioning appliances

Central wash-up equipment
Tables, cabinets, tray and plate stackers

**Sanitary appliances for healthcare
establishments**
Automatic cleaning and disinfection
appliances for bedpans and other care
utensils

Notre gamme de production

**Lave-vaisselle à procéder de lavage
stationnaire**
Automates de lavage

**Lave-vaisselle automatiques à passage
continu**
Lave-vaisselle automatiques à convoyeur et
à transport de paniers

Lave-vaisselle spéciaux
Installations de lavage entièrement
automatiques et semi-automatiques,
lave-vaisselle industriels

Installations de transport
pour le transport vertical et horizontal de
plateaux

**Installations de traitement de déchets
alimentaires**
ainsi que des installations de traitement
d'eau

Installations pour grandes cuisines
Tables, empileurs de plateaux et d'assiettes

**Installations sanitaires pour hôpitaux et
maisons de soins**
Automates de nettoyage et de désinfection,
combinés de soins



MEIKO Maschinenbau GmbH & Co. KG
Englerstr. 3 · 77652 Offenburg · Germany
Tel. + 49 (0)781/203-0
Fax +49 (0)781/203-1274
e-mail: info@meiko.de · www.meiko.de